

General description



The splitter damper bracket is made of galvanised steel and equipped with a brass pivot.

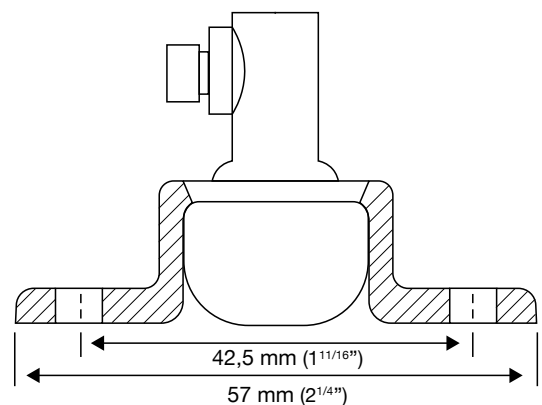
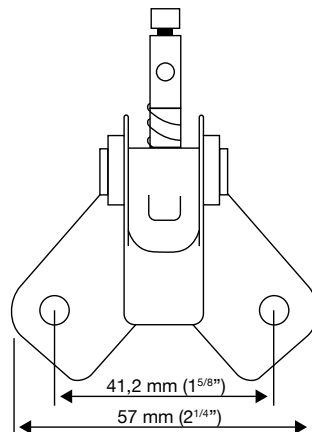
The ball joint is a zinc alloy diecasting and is supplied with a neoprene gasket to minimise air leakage.

The bracket and ball joint set offers a single and practical method for the positioning of a splitter damper.

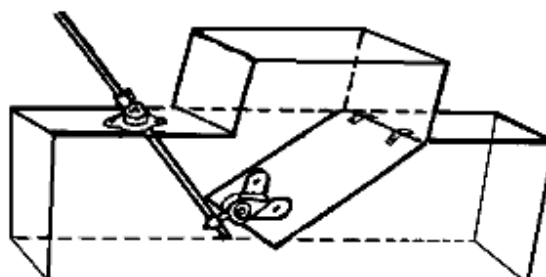
A set screw firmly locks the rod in the desired position.

Technical specification

				
	SPLITTER DAMPER BRACKETS		BALL JOINTS	
	SDB-14	SDB-516	BJR-14	BJR-516
Shaft size	1/4"	5/16"	1/4"	5/16"



Application



Information contained herein is based on careful tests and experience. It reflects our knowledge and is for guidance purpose only. It is given in good faith and user should ensure that the product is fit for purpose before any application. The quoted values are average and should not be taken as maximum or minimum values for specific purposes. Manufacturer and distributor are not responsible for any non-recommended use or consequential damage.