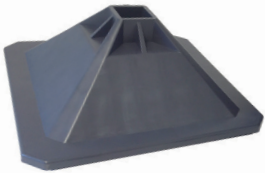
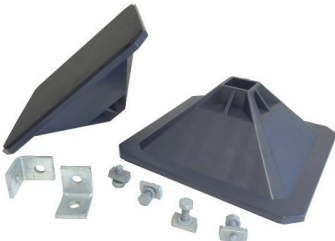



General description

The kit square foot is designed to support metallic structures (H-frames) on roofs or in industrial spaces. Suitable for 41 x 41 mm slotted channel rails.

- Designed to fit STRUT channel (not supplied)
- Preserves the waterproofing membrane of the roof
- Easy and fast installation
- Closed cell polyethylene anti-vibration pads pre-attached
- Great flexibility: adjustable height / weight
- Suitable for 41 x 41 mm slotted channel rails

B-SQF	B-KSF	3B-KSF
		
<p>The square foot (B-SQF-305 & B-SQF-500) includes :</p> <ul style="list-style-type: none"> • High Density Polyethylene (HDPE) foot • Pre-attached insulating mats 	<p>The H frame kit (B-KSF - 30 & B-KSF - 50) includes :</p> <ul style="list-style-type: none"> • Square foot : x2 • M10 brackets : x3 • M10 fixings : x4 	<p>The 3x H frame kit 3B-KSF includes :</p> <ul style="list-style-type: none"> • Square foot : x6 • M10 brackets : x6 • M10 fixings : x12

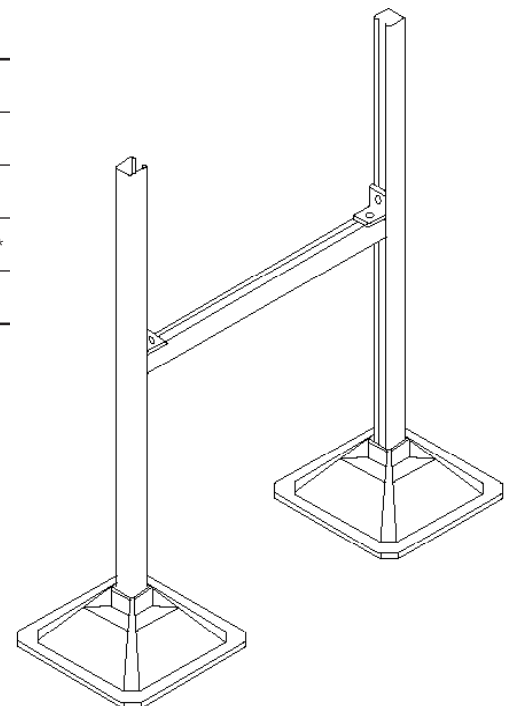
Technical specification

Material	Hight Density Polyethylene (HDPE)	
Dimensions	B-SQF-305	305 x 305 x 120 mm
	B-SQF-500	500 x 500 x 120 mm
Maximum load per set of 2 feet	305 x 305 : 350 Kg* / 500 x 500 : 500Kg*	
Recommended temperature	-30°C / +110°C	

* The support rails not being supplied by us, loads are given for information. Please refer to the technical data of rails to know the maximum load.

Application

Designed to support ventilation ducts, cables trays, pipes.



Information contained herein is based on careful tests and experience. It reflects our knowledge and is for guidance purpose only. It is given in good faith and user should ensure that the product is fit for purpose before any application. The quoted values are average and should not be taken as maximum or minimum values for specific purposes. Manufacturer and distributor are not responsible for any non-recommended use or consequential damage.