

**General description**

The **NSTP** are Telescopic feet intended to support outdoor ventilation ducts.

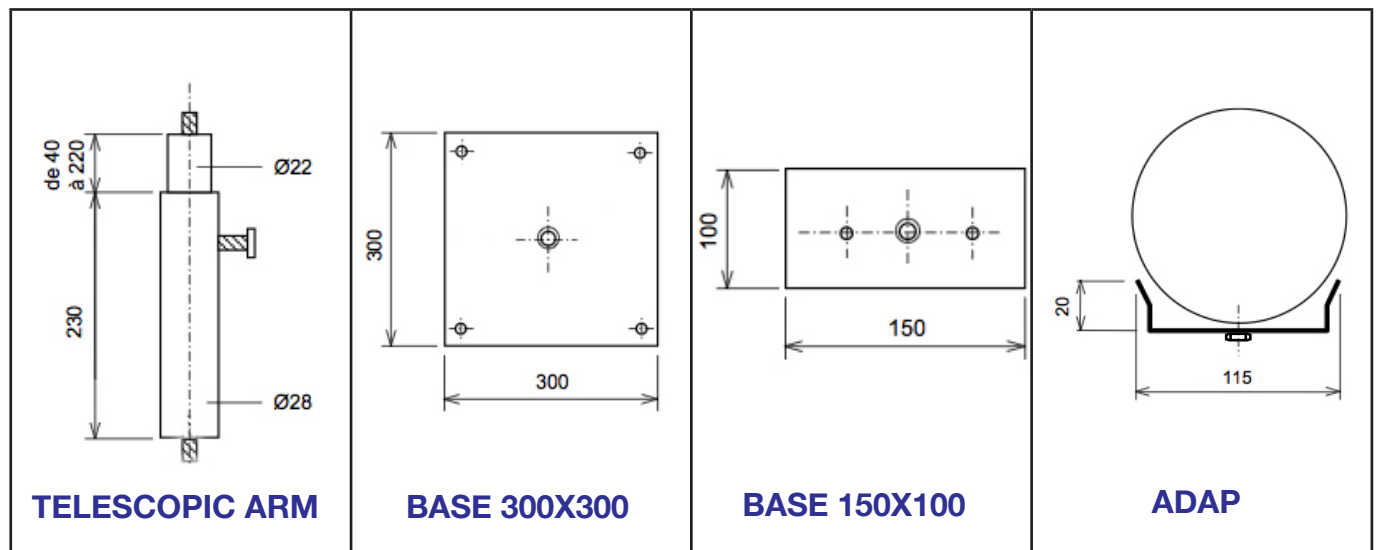
The total height is adjustable from 270 to 450 mm, which allows adapting to any configuration.

The feet 300 x 300 mm complies with French directive DTU 68.3.



**Technical specification**

<b>Material</b>	Galvanized steel
<b>Threaded parts (nuts &amp; bolts)</b>	M8
<b>Height adjustable arm</b>	from 270 to 450 mm
<b>Base</b>	Thickness: 2,0 mm with 9 mm diameter fixing holes Dimension: 300 x 300 mm / 150 x 100 mm
<b>Inner face flat and smooth, without roughness</b>	
<b>Supplied in kit (1 plate + 1 tube)</b>	
<b>Maximum charge : 280 Kg</b>	



Dimensions in mm

Information contained herein is based on careful tests and experience. It reflects our knowledge and is for guidance purpose only. It is given in good faith and user should ensure that the product is fit for purpose before any application. The quoted values are average and should not be taken as maximum or minimum values for specific purposes. Manufacturer and distributor are not responsible for any non-recommended use or consequential damage.