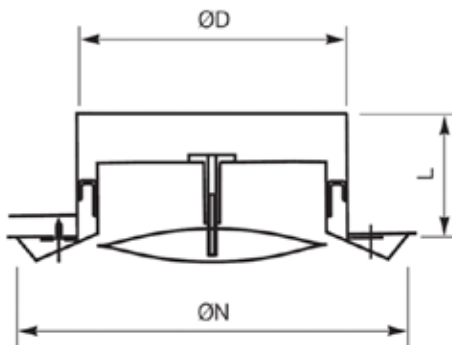


**General description**

- Exhaust and supply air valve
- Stainless steel 304 : body, adjustable disc and mounting frame
- Adjustable inner core
- Brushed finished
- Available diameters: 100 - 200 mm
- 2 Stainless steel mounting screws supplied



**Technical specification**



	Ød (mm)	ØN (mm)	L (mm)
SV-SS 100	100	140	48
SV-SS 125	125	170	48
SV-SS 150	150	218	56
SV-SS 160	160	218	61
SV-SS 200	200	298	70

Q <sup>1</sup>	Type	100	125	150	160	200
30	Ps <sup>2</sup>	15				
	x0.5 <sup>3</sup>	0.20				
40	Ps	25	11			
	x0.5	0.40	0.30			
60	Ps	53	23	3	2	
	x0.5	0.70	0.40	0.30	0.20	
80	Ps	100	51	10	8	
	x0.5	1.20	0.70	0.50	0.40	
130	Ps		139	25	22	43
	x0.5		1.50	1	0.90	1.10
190	Ps			56	48	56
	x0.5			1.80	1.60	1.60
220	Ps					114
	x0.5					2

<sup>(1)</sup> Q = Air volume in m<sup>3</sup>/h

<sup>(2)</sup> Ps = Static pressure in Pa

<sup>(3)</sup> x0.5 = Connection diameter in mm

Information contained herein is based on careful tests and experience. It reflects our knowledge and is for guidance purpose only. It is given in good faith and user should ensure that the product is fit for purpose before any application. The quoted values are average and should not be taken as maximum or minimum values for specific purposes. Manufacturer and distributor are not responsible for any non-recommended use or consequential damage.